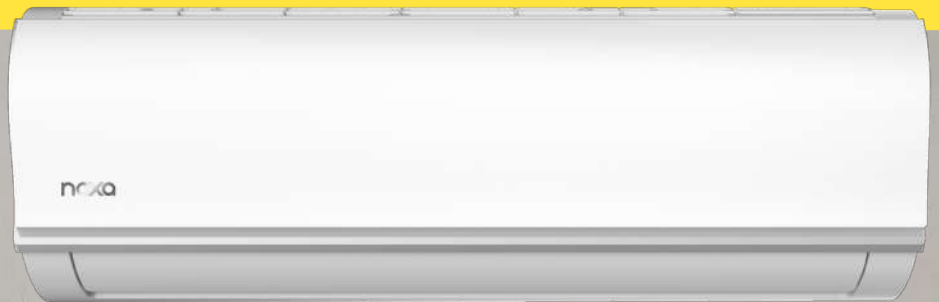
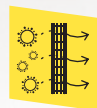


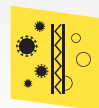
# AIR CONDITIONER NOXA COOL



## Standard features



High Density Mesh Filter



Cold Catalyst Filter



Low Ambient Operation



Anti-corrosion Protection



Refrigerant Leakage Detection



8° Heat (Frost Protect)



Swing



ECO



Turbo



Sleep Mode



Self-cleaning



Louver Position Memory



Emergency Operation



1W Standby



2-Side Installation



Auto restart



Timer



Maintenance mode



WiFi



Wireless controller

## Optional functions



Wired Remote Controller

Devices of the Noxa Cool series are distinguished by discreet operation, optimal functionality and ease of use. The units are available in four capacity levels, covering the range from 2.6 to 7.0 kW. The air conditioner is equipped with a panel of white color with a delicate border in a shade of gray, which, due to its simplicity, perfectly fits into any environment. The device is perfect for efficient cooling, but also for heating rooms. It is characterized by an optimal selection of utility functions.



### Wi-Fi Control

The unit is equipped with a Wi-Fi module, which provides remote control of the air-conditioning system from anywhere in the world. Free **NetHome Plus** application is available for smart devices with Android and iOS systems.



### Emergency Operation

When a temperature sensor is damaged, the air conditioner will display an appropriate error code and continue to operate based on the readings from the other temperature sensors.



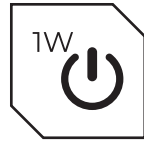
### 8° heat (frost protect)

In the heating mode, the air-conditioner maintains a minimum temperature hold of 8°C. This protects the room from considerable cooling down during longer periods of user absence in winter.



### ECO

Thanks to the ECO function, the unit intelligently adapts the fan speed and compressor operation. This brings up to 60% reduction of the current consumption and means significant savings.



### 1 W in stand by mode

This function allows the unit to automatically enter standby power saving mode. This reduces power consumption from the normal 4 ~ 5 W down to 0.5 ~ 1 W, representing an 80% saving.



### Refrigerant leakage detection

The module indicates refrigerant leakage based on the unit's operating parameters.

## Technical specifications

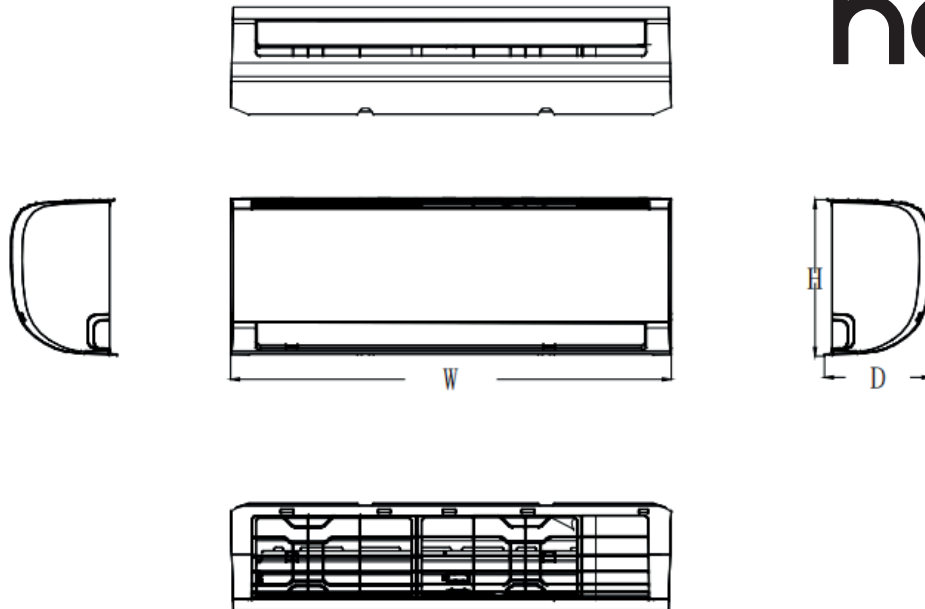
| Set  |   |                     | SCO-25B-1F      | SCO-35B-1F        | SCO-50B-1D      | SCO-70B-1D      |           |
|--|---|---------------------|-----------------|-------------------|-----------------|-----------------|-----------|
| Indoor unit                                    |   |                     | NXCO-ID25XWM-1B | NXCO-ID35XWM-1B   | NXCO-ID50XWM-1B | NXCO-ID70XWM-1B |           |
| Outdoor unit                                   |   |                     | NXCO-OD25B-1A   | NXCO-OD35B-1A     | NXCO-OD50B-1A   | NXCO-OD70B-1A   |           |
| Power supply (voltage/no. of phases/frequency) | V~/Hz   |                     | 220-240/1/50    |                   |                 |                 |           |
| Cooling  | Capacity  | Rated               | kW              | 2.64              | 3.52            | 5.30            | 7.0       |
|  |   | Min-Max             | kW              | 0.91~3.40         | 1.11~3.93       | 0.34~5.83       | 2.10~7.90 |
|  | Rated power input   | kW                  | 0.80            | 1.32              | 1.55            | 2.60            |           |
|  | EER   | kW/kW               | 3.30            | 2.66              | 3.42            | 2.69            |           |
|  | SEER  |                     | 7.0             | 6.5               | 7.2             | 6.1             |           |
| Energy Efficiency Class                        |   |                     | A++             | A++               | A++             | A++             |           |
| Heating  | Capacity  | Rated               | kW              | 2.93              | 3.81            | 5.6             | 7.3       |
|  |   | Min-Max             | kW              | 0.82~3.37         | 1.08~4.16       | 3.10~5.85       | 1.60~7.90 |
|  | Rated power input   | kW                  | 0.93            | 1.19              | 1.57            | 2.40            |           |
|  | COP   | kW/kW               | 3.15            | 3.20              | 3.57            | 3.04            |           |
|  | SCOP  |                     | 4.1             | 4.1               | 4.0             | 4.0             |           |
| Energy Efficiency Class                        |   |                     | A+              | A+                | A+              | A+              |           |
| Max. input current                             | A   |                     | 10              | 10                | 13              | 16              |           |
| Indoor unit                                    | Dimensions (width x depth x length)                         | mm                  | 715x194x285     | 805x194x285       | 957x213x302     | 1040x220x327    |           |
|  | Weight (net/gross)  | kg                  | 6.7             | 7.3               | 10.0            | 12.3            |           |
|  | Airflow (Low/Medium/High)                                   | m <sup>3</sup> /h   | 259/333/435     | 310/430/530       | 540/678/840     | 660/816/978     |           |
|  | Sound pressure level (Low/Medium/High)                      | dB(A)               | 21.5/25/32/37   | 21.5/25/35.5/39.5 | 20/26/36/42.5   | 25/36/40.5/45   |           |
|  | Sound power level   | dB(A)               | 50              | 54                | 56              | 59              |           |
| Outdoor unit                                   | Dimensions (width x depth x length)                         | mm                  | 720x270x495     | 720x270x495       | 805x330x554     | 890x342x673     |           |
|  | Weight (net/gross)  | kg                  | 21.0            | 21.0              | 32.7            | 42.9            |           |
|  | Airflow   | m <sup>3</sup> /min | 1750            | 1750              | 2100            | 3500            |           |
|  | Sound pressure level  | dB(A)               | 55.0            | 54.5              | 56.0            | 59.0            |           |
|  | Sound power level   | dB(A)               | 59              | 64                | 63              | 67              |           |
| Refrigerant                                    | Type/Charge   | kg                  | R32/0.47        | R32/0.52          | R32/1.08        | R32/1.42        |           |
| Refrigerant piping                             | Liquid  | mm(cal)             | 6.35mm(1/4)     | 6.35mm(1/4)       | 6.35mm(1/4)     | 9.52mm(3/8)     |           |
|  | Gas   | mm(cal)             | 9.52mm(3/8)     | 9.52mm(3/8)       | 12.7mm(1/2)     | 15.9mm(5/8)     |           |
|  | Piping length with factory charge                           | m                   | 5               | 5                 | 5               | 5               |           |
|  | Additional refrigerant charge beyond standard piping length | g/m                 | 12              | 12                | 12              | 24              |           |
|  | Max. Length/Max. Level difference                           | m                   | 25/10           | 25/10             | 30/20           | 50/25           |           |
| Recommended electrical wiring and protection   | Outdoor unit power supply                                   | mm <sup>2</sup>     | 3x1.5           | 3x1.5             | 3x1.5           | 3x2.5           |           |
|  | Communication   | mm <sup>2</sup>     | 5x1.5           | 5x1.5             | 5x1.5           | 5x2.5           |           |
| Operating temperature ranges (outdoor)         | Cooling   | °C                  | -15 ~ 50        |                   |                 |                 |           |
|  | Heating   | °C                  | -15 ~ 30        |                   |                 |                 |           |

Capacity is based on the following conditions:

Cooling: indoor temperature 27°C DB/19°C WB; outdoor temperature 35°C DB/24°C WB. Heating: indoor temperature 20°C DB/15°C WB; outdoor temperature 7°C DB/6°C WB. Installation length: length of connected pipes is 7.5 m; the height difference is 0. The units contain fluorinated greenhouse gasses. The noise levels can vary depending on method and conditions of measurement.

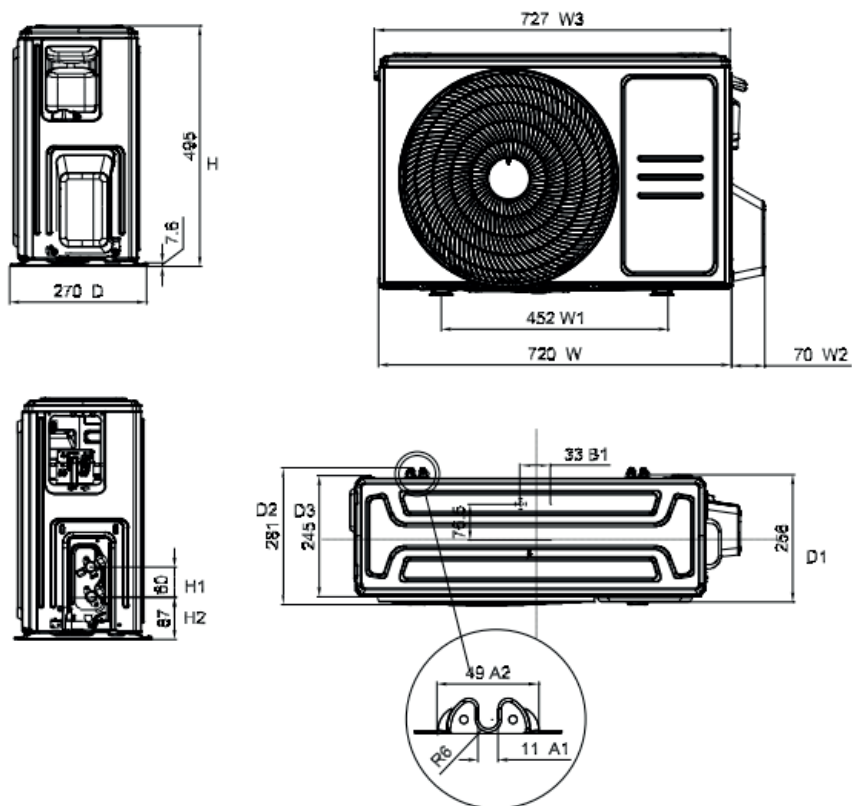
## Indoor unit

**nox**a

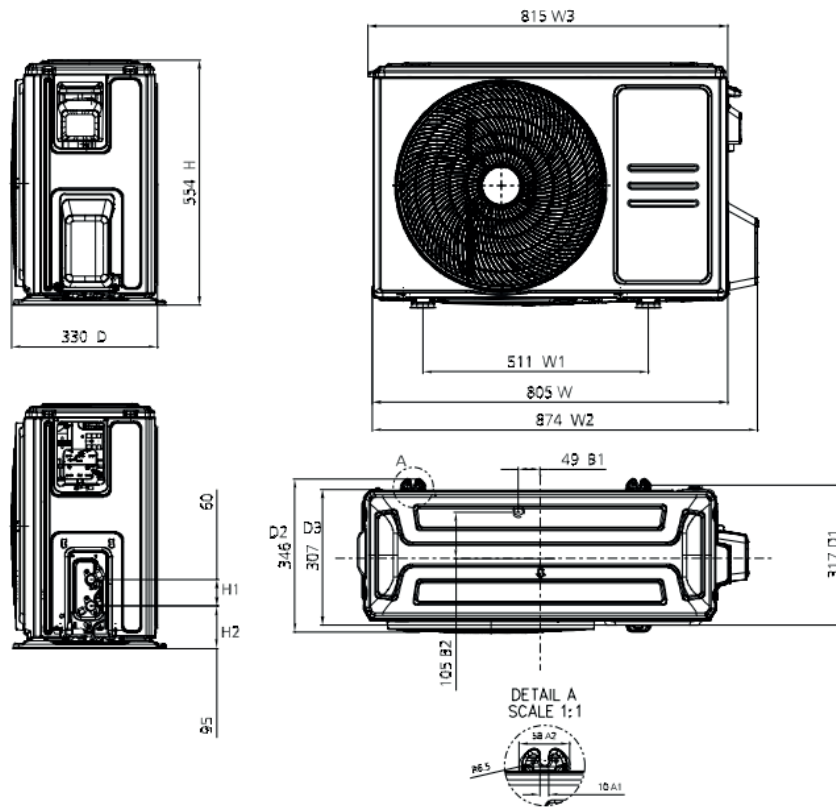


| Model           | W (mm) | D (mm) | H (mm) |
|-----------------|--------|--------|--------|
| NXCO-ID25XWM-1A | 805    | 194    | 285    |
| NXCO-ID35XWM-1A | 805    | 194    | 285    |
| NXCO-ID50XWM-1A | 957    | 213    | 302    |
| NXCO-ID70XWM-1A | 1040   | 220    | 327    |

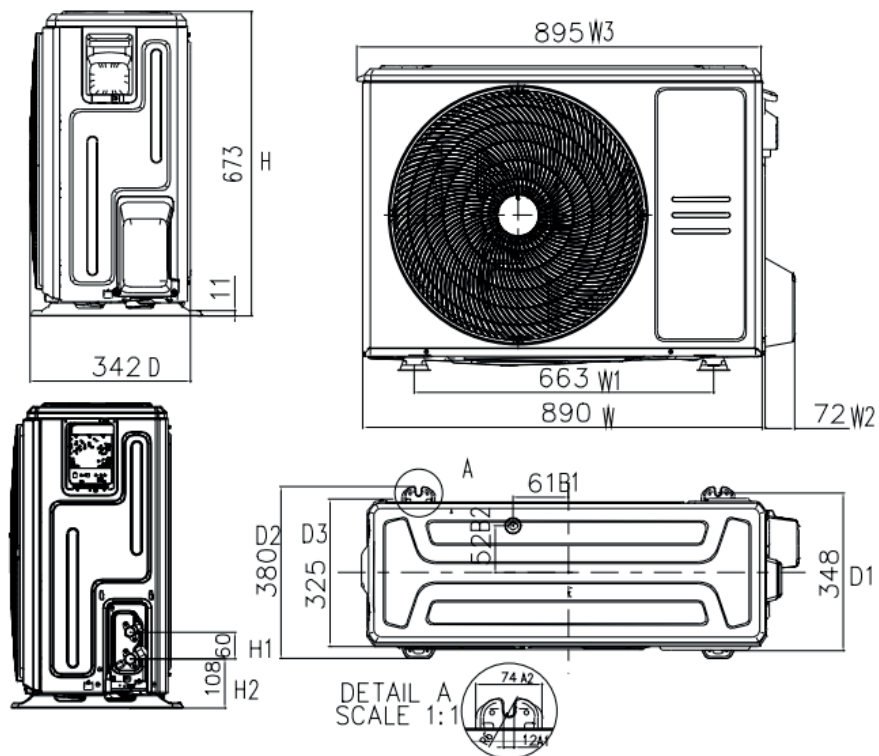
## Outdoor unit



| Model         | W (mm) | D (mm) | H (mm) |
|---------------|--------|--------|--------|
| NXCO-OD25B-1A | 720    | 270    | 495    |
| NXCO-OD35B-1A | 720    | 270    | 495    |



| Model         | W (mm) | D (mm) | H (mm) |
|---------------|--------|--------|--------|
| NXCO-OD50B-1A | 805    | 330    | 554    |



| Model         | W (mm) | D (mm) | H (mm) |
|---------------|--------|--------|--------|
| NXCO-OD70B-1A | 890    | 342    | 673    |