

# DATASHEET

## RJ45 Patch Cord Cat.6A S/FTP LSZH grey 1m



### General data

RJ45 patch cable Cat.6A S/FTP LSZH

The Cat.6A (TIA) patch cable meets the requirements for 10Gbit Ethernet and has gold-plated contacts.

Technical product features

- Cat.6A ( TIA)
- S/FTP cable with AWG27/7
- Jacket material made of halogen-free LSZH
- Fire protection: flame-retardant, halogen-free, low smoke
- Plug connection: RJ45 to RJ45
- With locking lever protection
- Has gold-plated contacts

This datasheet was created automatically on 03-09-2025 . Technical changes reserved.



# DATASHEET

## RJ45 Patch Cord Cat.6A S/FTP LSZH grey 1m

The sheath of the shielded patch cable is made of halogen-free LSZH material and has a length imprint on the grommet. In addition, the cable offers the option of power supply via PoE according to IEEE802.3af, PoE+ according to IEEE802.3at and 4PPoE according to IEEE802.3bt.

The assignment of the green RJ45 plugs is according to TIA/EIA 568B and is 1 :1. Suitable for the temperature range -20 - 60 °C.

The network cable has a conductor material made of copper and is ideal for applications in structured building cabling, industrial Ethernet and in data centers. The bandwidth is 500 MHz.

### Available variants

ArtNr.	Bezeichnung	Length POE class		Length tolerance
MK6001.0,15G	RJ45 Patch Cord Cat.6A S/FTP LSZH grey 0,15m	0,15 m	PoE acc. to IEEE802.3af;PoE acc. to IEEE802.3at;4PPoE acc. to IEEE802.3bt	±5 %
MK6001.0,25G	RJ45 Patch Cord Cat.6A S/FTP LSZH grey 0,25m	0,25 m	PoE acc. to IEEE802.3af;PoE acc. to IEEE802.3at;4PPoE acc. to IEEE802.3bt	±5 %
MK6001.0,5G	RJ45 Patch Cord Cat.6A S/FTP LSZH grey 0,5m	0,5 m	PoE acc. to IEEE802.3af;PoE acc. to IEEE802.3at;4PPoE acc. to IEEE802.3bt	±5 %
MK6001.1G	RJ45 Patch Cord Cat.6A S/FTP LSZH grey 1m	1,0 m	PoE acc. to IEEE802.3af;PoE acc. to IEEE802.3at;4PPoE acc. to IEEE802.3bt	±5 %
MK6001.1,5G	RJ45 Patch Cord Cat.6A S/FTP LSZH grey 1,5m	1,5 m	PoE acc. to IEEE802.3af;PoE acc. to IEEE802.3at;4PPoE acc. to IEEE802.3bt	±5 %
MK6001.2G	RJ45 Patch Cord Cat.6A S/FTP LSZH grey 2m	2,0 m	PoE acc. to IEEE802.3af;PoE acc. to IEEE802.3at;4PPoE acc. to IEEE802.3bt	±5 %
MK6001.3G	RJ45 Patch Cord Cat.6A S/FTP LSZH grey 3m	3,0 m	PoE acc. to IEEE802.3af;PoE acc. to IEEE802.3at;4PPoE acc. to IEEE802.3bt	±5 %
MK6001.5G	RJ45 Patch Cord Cat.6A S/FTP LSZH grey 5m	5,0 m	PoE acc. to IEEE802.3af;PoE acc. to IEEE802.3at;4PPoE acc. to IEEE802.3bt	±5 %
MK6001.7,5G	RJ45 Patch Cord Cat.6A S/FTP LSZH grey 7,5 m	7,5 m	PoE acc. to IEEE802.3af;PoE acc. to IEEE802.3at;4PPoE acc. to IEEE802.3bt	±5 %
MK6001.10G	RJ45 Patch Cord Cat.6A S/FTP LSZH grey 10m	10,0 m	PoE acc. to IEEE802.3af;PoE acc. to IEEE802.3at;4PPoE acc. to IEEE802.3bt	±5 %
MK6001.15G	RJ45 Patch Cord Cat.6A S/FTP LSZH grey 15m	15,0 m	PoE acc. to IEEE802.3af;PoE acc. to IEEE802.3at	±5 %
MK6001.20G	RJ45 Patch Cord Cat.6A S/FTP LSZH grey 20m	20,0 m	PoE acc. to IEEE802.3af;PoE acc. to IEEE802.3at	±5 %
MK6001.25G	RJ45 Patch Cord Cat.6A S/FTP LSZH grey 25m	25,0 m	PoE acc. to IEEE802.3af	±5 %
MK6001.30G	RJ45 Patch Cord Cat.6A S/FTP LSZH grey 30m	30,0 m	PoE acc. to IEEE802.3af	±5 %
MK6001.40G	RJ45 Patch Cord Cat.6A S/FTP LSZH grey 40m	40,0 m	No	±5 %

This datasheet was created automatically on 03-09-2025 . Technical changes reserved.

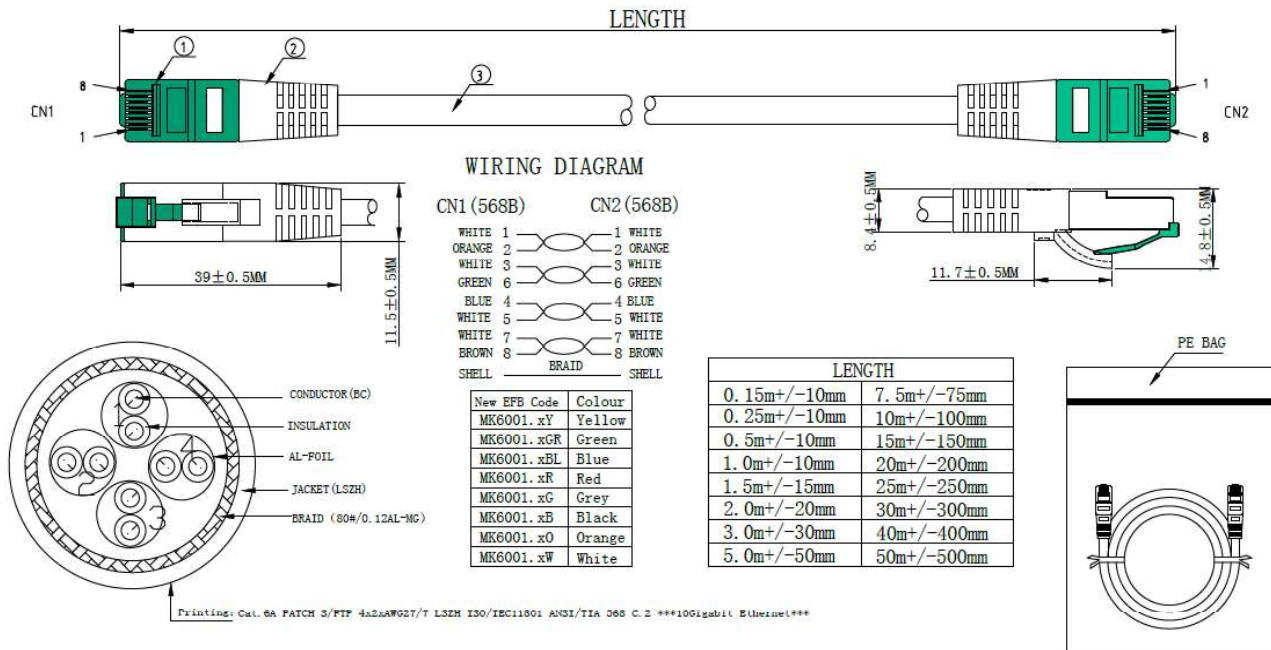


# DATASHEET

## RJ45 Patch Cord Cat.6A S/FTP LSZH grey 1m

MK6001.50G	RJ45 Patch Cord Cat.6A S/FTP LSZH grey 50m	50.0 m	No	±5 %
------------	--	--------	----	------

### Drawings



This datasheet was created automatically on 03-09-2025 . Technical changes reserved.

