

## BF100 Series Battery storage system

- **Ultimate security**

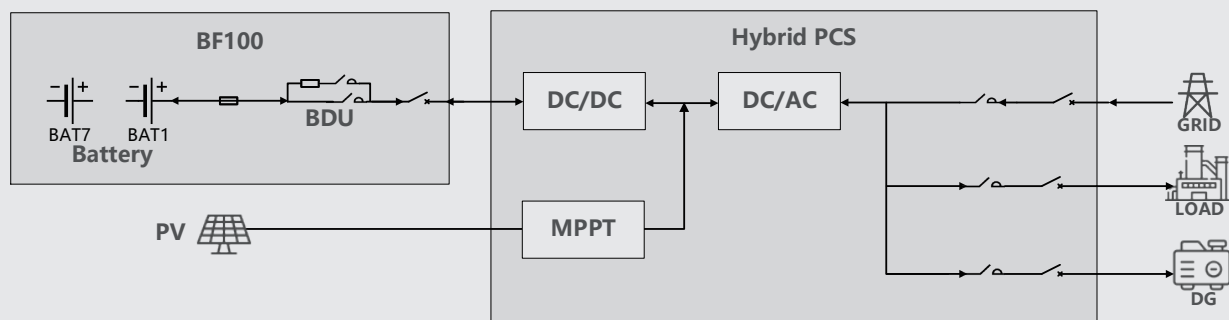
Preventative fire strategy with three-level detection and TMG which ensure active firefighting remains effective in the event of a power outage.

- **Flexible expansion**

71~100kWh capacity available for single unit;  
Reserved DC expansion interface.

- **Highly efficient**

280Ah LFP battery with high energy density;  
Self-developed EMS to reduce system energy consumption, and improve charging & discharging efficiency.



## System parameters

Model	BF100-71kWh	BF100-86kWh	BF100-100kWh
<b>Battery system specification</b>			
Battery type	LFP (LiFePO4)		
Battery capacity	280Ah		
Pack configuration	1P16S		
Rated current	140A(0.5C)		
Max. current	160A		
Pack quantities	One cluster/5Pack	One cluster/6Pack	One cluster/7Pack
Voltage range	232~288V	278.4~345.6V	324.8~403.2V
System capacity	71kWh	86kWh	100kWh
<b>System specification</b>			
Dimension (W*D*H)	725*1200*2258 mm (TBD, lifting ring not included)		
Weight	Approx. 1500kg(TBD)		
System efficiency	93%		
Temperature	-20~50°C (Derating above 45°C)		
Humidity	0~95% ( no condensing)		
Ingress protection	IP55		
Anti-corrosion grade	C3(Optional C5)		
Noise	<70dB (TBD)		
Elevation	3000m (Derating above 2000m)		
Cooling method	Air cooling		
Fire protection	Optional: Aerosol/heptafluoropropane (FM-200) /perfluorohexanone (Novec1230)		
EMS communications	Ethernet/RS485/CAN/USB		
Standards	CE		