

# PV + Energy Storage Solution for C&I Application

Solinteg Integ M 25/30/36/40/50kW Hybrid Inverter

Sunwoda CIESS 50~70 / 25~70-R Series

98.8%

Max Efficiency

100%

Unbalanced output

100A

Charge/Discharge



## Integ M 50kW Hybrid Inverter

Integrate with Double DSP + FPGA + ARM



### More Yield

Harvest more power with high efficiency up to 98.8%



### Higher Reliability

Simple system structure reduces the risk of failure



### Lower Cost

Less equipment to save on transportation installation and maintenance costs



### Convenient Installation

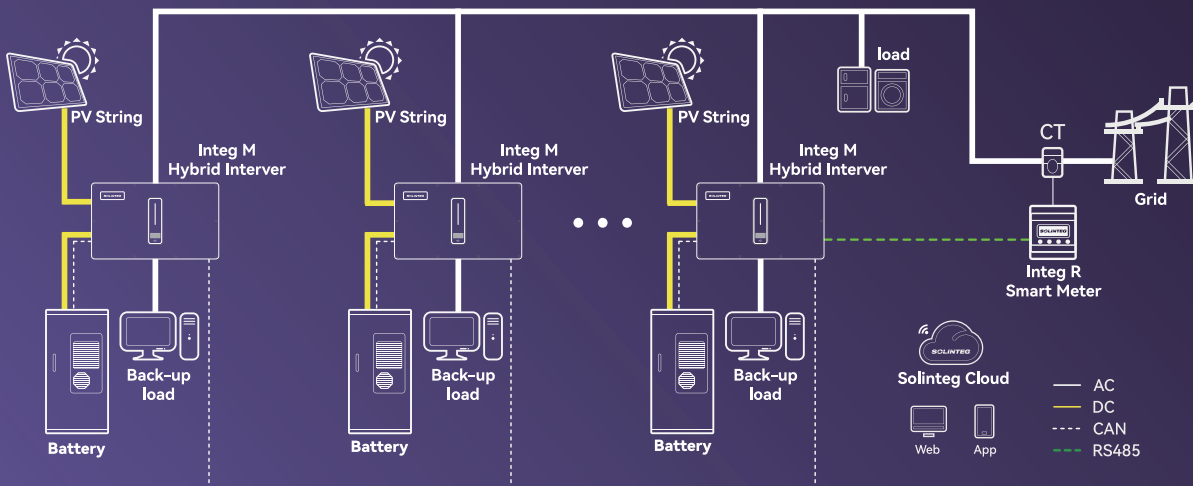
Flexible installation location with IP65 protection degree

VS

## Traditional ESS Equipment

Inverter + On/Off grid switch + PCS + EMS

## Decentralized System for C&I Applications



Model	MHT-25K-100	MHT-30K-100	MHT-36K-100	MHT-40K-100	MHT-50K-100
<b>PV Input</b>					
Recommended Max. input power [kW]	37.5	45.0	54.0	60.0	75.0
Start-up voltage [V]	135	135	135	135	135
Max. DC input voltage* [V]	1000*	1000*	1000*	1000*	1000*
Rated DC input voltage [V]	620	620	620	620	620
MPPT voltage range* [V]	200-850*	200-850*	200-850*	200-850*	200-850*
No. of MPP trackers	4	4	4	4	4
No. of DC inputs per MPPT	2	2	2	2	2
Max. input current [A]	30×4	30×4	30×4	30×4	30×4
Max. short-circuit current [A]	40×4	40×4	40×4	40×4	40×4
<b>Battery Side</b>					
Battery type		CIESS 50~70 Series	CIESS 25~70-R Series		
Battery voltage range [V]		448~748.8	224~738.4		
Maximum charging/discharge current [A]		100/100			
Battery capacity range [KWh]		51.2~66.6	25.6~66.6		
<b>Grid Side</b>					
Rated output power [kW]	25.0	30.0	36.0	40.0	50.0
Max. output apparent power [kVA]	27.5	33.0 <sup>1)</sup>	39.6	44.0	55.0
Max. input apparent power** [kVA]	30.0	36.0	43.5	48.0	60.0
Max. charging power of battery [kW]	25.0	30.0	36.0	40.0	50.0
Rated AC voltage		3L/N/PE; 220/380V;230/400V;240/415V			
Rated AC frequency [Hz]	50/60	50/60	50/60	50/60	50/60
Max. output current [A]	42.0	50.0 <sup>2)</sup>	60.0	66.0	83.0
<b>Back-up Side</b>					
Rated output power [kW]	25.0	30.0	36.0	40.0	50.0
Max. output apparent power [kVA]	27.5	33.0	39.6	44.0	55.0
Max. output current [A]	42.0	50.0	60.0	66.0	83.0
UPS switching time	<20ms	<20ms	<20ms	<20ms	<20ms
Rated output voltage		3L/N/PE; 220/380V;230/400V;240/415V			
Rated output frequency [Hz]	50/60	50/60	50/60	50/60	50/60
<b>Generator Side</b>					
Max. input apparent power** [kW]	30.0	36.0	43.5	48.0	60.0
Max. charging power of battery [kW]	25.0	30.0	36.0	40.0	50.0
Rated AC voltage		3L/N/PE; 220/380V;230/400V;240/415V			
Rated AC frequency [Hz]	50/60	50/60	50/60	50/60	50/60

\* PV Max. Input voltage is 850V, otherwise inverter will be waiting;

\*\* Max apparent power from the grid means the maximum power imported from the utility grid used to satisfy the backup loads and charge the battery;

1) AS 4777.2, VDE-AR-N 4105: 30.0kVA; 2) AS 4777.2, VDE-AR-N 4105: 43.5A;



**Well compatible with Sunwoda C&I storage system**



Sunwoda  
CIESS 50~70 Series  
CIESS 25~70-R Series

sales@solinteg.com  
www.solinteg.com

info@sunwoda.com  
www.sunwodaenergy.com