

产品规格书

Product Specification

產品名稱：QC4.10 连接器/1500V

Product Name: QC4.10 connector

客戶名稱：

Customer Name:

供應商：QC Solar

Vendor : QC Solar

承認簽章 (Confirmation)

快可承認 (QC Solar confirmation)			客戶承認 (Customer confirmation)		
批准 Approved by	審核 Audited by	設計 Designed by	採購 Purchased by	品保 Quality Assured by	技術 Technical verified by

苏州快可光伏电子股份有限公司

QC SOLAR (SUZHOU) CORPORATION

中国苏州工业园区新发路 31 号

No.31,Xinfa road, SIP, Suzhou, China

TEL : 0512-62603391 FAX :0512-62603396

目录 Catalog

1.产品外观及设计性能参数要求 Product appearance and design performance parameters.....	2
2.连接器 BOM 清单 BOM of connector.....	3
3.连接器图纸 Drawing of connector.....	4
4.连接器 TUV 证书 TUV certification of connector.....	9
5.连接器 UL 证书 UL certification of connector.....	10

1.产品外观及设计性能参数要求: Product appearance and design

Performance parameters



Female(left)&Male(right) Connector

TUV 证书编号 TUV certificate number: R50353779

UL 证书编号 UL certificate number: E340004

额定电压 Rated Voltage: IEC1500V/UL1500V

额定电流 Rated current: 36A , 41A, 46A(2.5 mm²/14AWG、4mm²/12AWG、6mm²/10AWG)

接触电阻 Contact resistance: $\leq 0.5m \Omega$

环境温度 Temperature range: -40°C~+85°C

连接器分断力 Breaking force: Min 80N

寿命测试插拔 Life test plug: 50times

IP 等级 Protection Degree: IP68

连接器设计 Connector Design:Snap-In locking Type

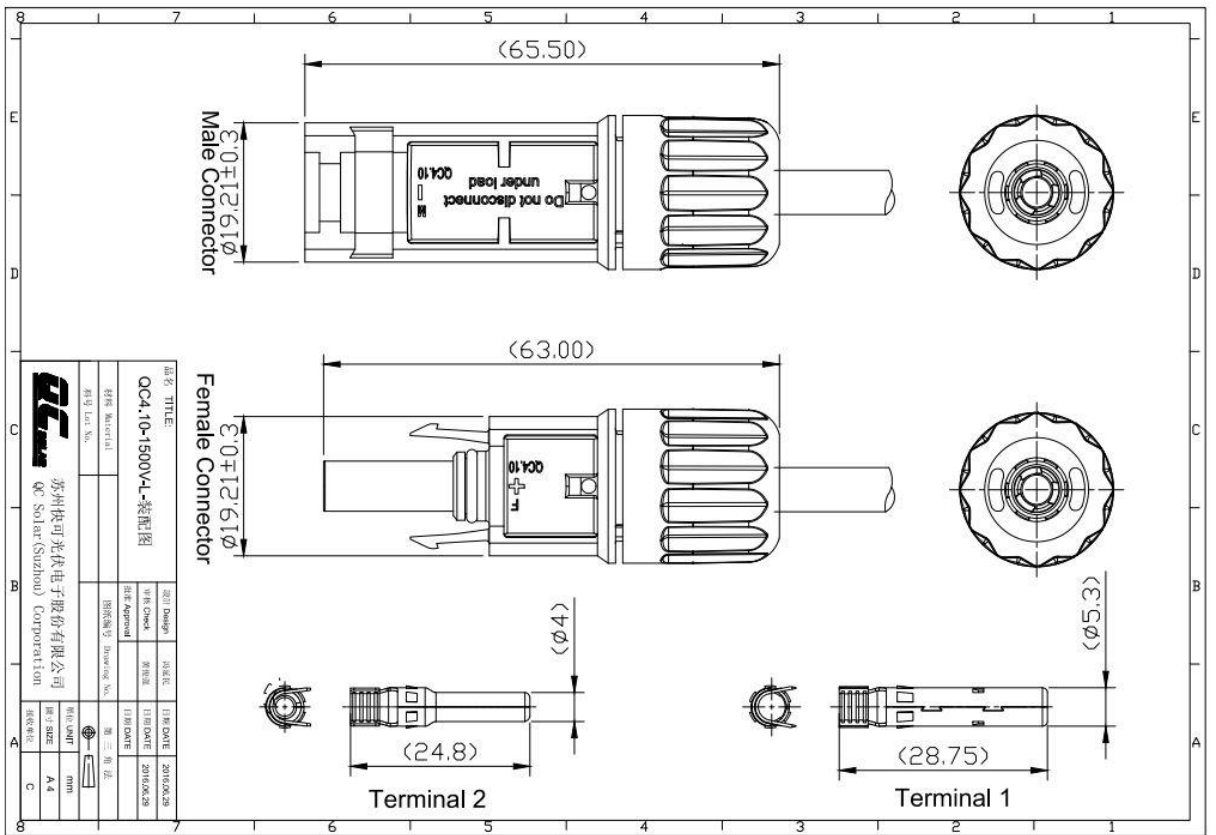
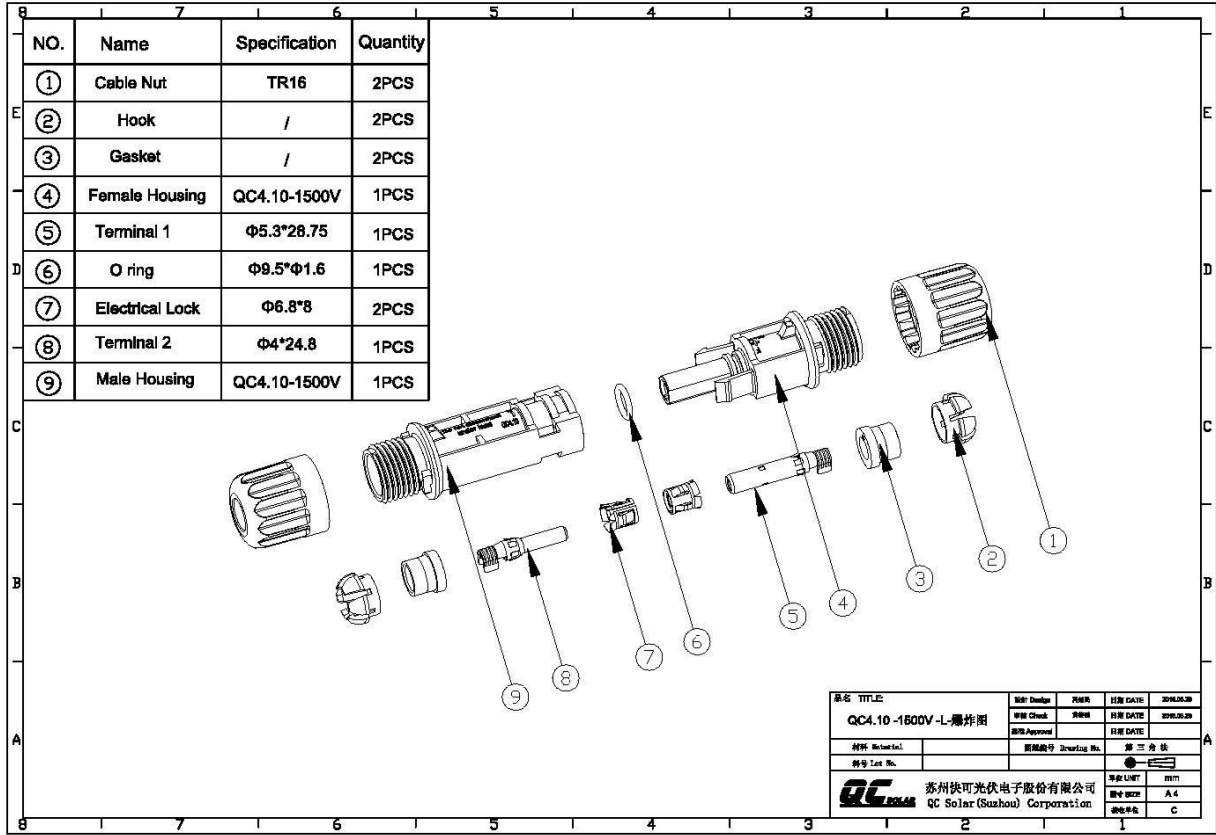
2.连接器 BOM 清单 Connector BOM to Female Connector List:

 苏州快可光伏电子股份有限公司					
产品名称 Product name	连接器 connector	材料清单 Bill Of Materials--Female Connector		版本 Version	A1.0
产品型号 Product	QC4.10 1500V			张数 Paper	1
客户 customer				发行日期 Issue date	2020.07.20
序号 number	名称 Name	材质 Material	型号 Specification	数量 Quantity	备注 Note
1	QC4.10 正极连接器 female housing	PPE	63* ϕ 19.21mm	1 pcs	
2	QC4.10 塑料后罩 cable nut	PA66	21.65* ϕ 21.22mm	1 pcs	
3	QC4 金属插针 Metal plug	铜镀锡 tinned T2 copper	/	1 pcs	
4	公母内腔卡圈 Electrical lock	钢 stainless steel	ϕ 6.8*8mm	1 pcs	
5	O 型密封圈 O ring	硅胶 silica gel	ϕ 9.5*1.6	1 pcs	
6	T 型堵头 T-shape Gasket ϕ 6.9	硅胶 silica gel	ϕ 6.9* ϕ 9.6* ϕ 11.16*H8.7	1 pcs	
7	内爪 hook	PA66	ϕ 11.1* ϕ 9.6*8.7mm	1 pcs	

2.1 连接器 BOM 清单 Connector BOM to Male Connector List:

 苏州快可光伏电子股份有限公司					
产品名称 Product name	连接器 connector	材料清单 Bill Of Materials--Male Connector		版本 Version	A1.0
产品型号 Product	QC4.10 1500V			张数 Paper	1
客户 customer				发行日期 Issue date	2020.07.20
序号 number	名称 Name	材质 Material	型号 Specification	数量 Quantity	备注 Note
1	QC4.10 负极连接器 male housing	PPE	65.5* ϕ 19.21mm	1 pcs	
2	QC4 金属插针 Metal plug	铜镀锡 tinned T2 copper	/	1 pcs	
3	QC4 金属插套 Metal socket	铜镀锡 tinned T2 copper	/	1 pcs	
4	公母内腔卡圈 Electrical lock	钢 stainless steel	ϕ 6.8*8mm	1 pcs	
5	T 型堵头 T-shape Gasket ϕ 6.9	硅胶 silica gel	ϕ 6.9* ϕ 9.6* ϕ 11.16*H8.7	1 pcs	
6	内爪 hook	PA66	ϕ 11.1* ϕ 9.6*8.7mm	1 pcs	

3.连接器图纸: Drawing of connector



4. 连接器 TUV 证书: TUV certification of connector

Zertifikat		Certificate			
Zertifikat Nr. / Certificate No. R 50353779	Blatt / Page 0001				
Ihr Zeichen / Client Reference L.J.Y.	Unser Zeichen / Our Reference 01-TKQ-15101053 001	Ausstellungsdatum / Date of Issue 12.08.2016	(day/mo/yr)		
Genehmigungsinhaber / License Holder QC Solar (Suzhou) Corporation No. 31, Xinfu Road, SIP Suzhou 215123 P.R. China		Fertigungsstätte / Manufacturing Plant QC Solar (Suzhou) Corporation No. 31, Xinfu Road, SIP Suzhou 215123 P.R. China			
Prüfzeichen / Test Mark 	Geprüft nach / Tested acc. to IEC 62852:2014				
Zertifiziertes Produkt (Geräteidentifikation) Certified Product (Product Identification)		Lizenzentgelte - Einheit License Fee - Unit			
Steckverbinder (Connector for Photovoltaic System)					
Type Designation	: QC4.10-cd (c= 3 or 4; d= 4 or 5 or 6) (QC)			11	
Rated Voltage	: 1500VDC				
Rated Current	: 36A for QC4.10-34; QC4.10-44; 41A for QC4.10-35; QC4.10-45; 46A for QC4.10-36; QC4.10-46				
Am	: -40°C to +85°C				
Up	100°C				
Cr	1x2,5mm ² for QC4.10-34; QC4.10-44; 1x4,0mm ² for QC4.10-35; QC4.10-45; 1x6,0mm ² for QC4.10-36; QC4.10-46				
Pr	IP68 (1m, 1h)				
Ap	Class A				
Re	quirements acc. to EU Directive e observed for distribution within				
AN)				
Dem des l in L betre This of th requ addi	ungsordnung zugrunde und es bestätigt die Konformität Is und Prüfgrundlagen. Zusätzliche Anforderungen bracht werden soll, müssen zusätzlich erten Produktes wird überwacht. tification Regulation and states the conformity quirements as indicated above. Any additional going to be marketed have to be considered 'product is subject to surveillance.				
TÜ	H, Tillystraße 2, 90431 Nürnberg				
Tel.	ide tuv.com				
Fax:	ifety				
		Dipl.-Ing. (FH) Bernd Scheirer			

5.连接器 UL 证书: UL certification of connector

QIJQ2.E340004 - Connectors for Use in Photovoltaic Systems - Component

Page 1 of 1



ONLINE CERTIFICATIONS DIRECTORY

QIJQ2.E340004

Connectors for Use in Photovoltaic Systems - Component

[Page Bottom](#)


Connectors for Use in Photovoltaic Systems - Component

[See General Information for Connectors for Use in Photovoltaic Systems - Component](#)

QC SOLAR (SUZHOU) CORP
31 XINFA RD
SIP
SUZHOU, JIANGSU 215123 CHINA

E340004

Cat. No.	Electrical Rating
Photovoltaic wiring-system connector	
QC4 series	600 V dc, with 10-14 AWG PV cable, 30A dc maximum
Series QC4.10, followed by -a3, followed by c1, followed by d1, d2 or d3, may be followed by e1 or e2. QC4.6-6.0	600 V dc, with 10 AWG PV cable, 30 A dc
Series QC4.10, followed by -a3, followed by c2 or c3, followed by d1, d2 or d3, may be followed by e1 or e2. QC4.6-4.0	600 V dc, with 12 AWG PV cable, 20 A dc
Series QC4.10, followed by -a3, followed by c4, followed by d1, d2 or d3, may be followed by e1 or e2. QC4.6-2.5	600 V dc, with 14 AWG PV cable, 15 A dc
Series QC4.10, followed by -a4, may be followed by b1, followed by c6, followed by d1, d2 or d3, may be followed by e1 or e2.	1000 V dc, with 10 AWG PV cable, 30 A dc
Series QC4.10, followed by -a4, may be followed by b1, followed by c7, c8 or c10, followed by d1, d2 or d3, may be followed by e1 or e2.	1000 V dc, with 12 AWG PV cable, 20 A dc
Series QC4.10, followed by -a4, may be followed by b1, followed by c9, followed by d1, d2 or d3, may be followed by e1 or e2.	1000 V dc, with 14 AWG PV cable, 15 A dc
Series QC4.10, followed by -a5, may be followed by b1, followed by c12 or c13, followed by d3, and followed by e2	1500 V dc, with 12 AWG PV cable, 20 A dc
QC4.3-ab1	1000 V dc, with 10 AWG PV cable, 30 A dc
QC4.3-ab2	1000 V dc, with 12 AWG PV cable, 20 A dc
QC4.3-ab3	1000 V dc, with 14 AWG PV cable, 15 A dc

Marking: Company name or trademark "QC", catalog designation and the Recognized Component Mark  on the device or carton.
[Last Updated](#) on 2017-05-15

[Questions?](#)

[Print this page](#)

[Terms of Use](#)

[Page Top](#)

© 2017 UL LLC

The appearance of a company's name or product in this database does not in itself assure that products so identified have been manufactured under UL's Follow-Up Service. Only those products bearing the UL Mark should be considered to be Certified and covered under UL's Follow-Up Service. Always look for the Mark on the product.

UL permits the reproduction of the material contained in the Online Certification Directory subject to the following conditions: 1. The Guide Information, Assemblies, Constructions, Designs, Systems, and/or Certifications (files) must be presented in their entirety and in a non-misleading manner, without any manipulation of the data (or drawings). 2. The statement "Reprinted from the Online Certifications Directory with permission from UL" must appear adjacent to the extracted material. In addition, the reprinted material must include a copyright notice in the following format: "© 2017 UL LLC".

<http://database.ul.com/cgi-bin/XYV/template/LISEXT/IFRAME/showpage.html?name=QIJQ2.E3...> 2017-05-18